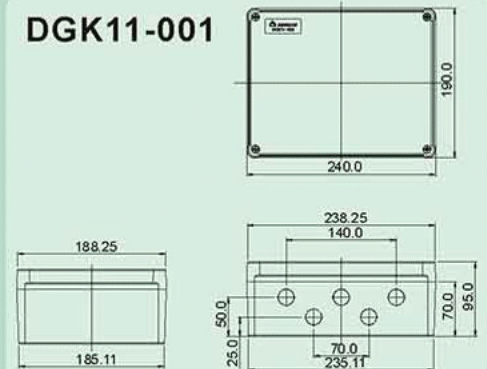



DGK11-001

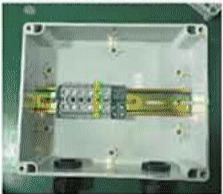
- 5孔出线, 可自由选择;
- 防紫外线材料, 可实现IP65防护等级;
- Five wire entry hole, free to choose.
- Ultraviolet proof material, Ip65, protection class is available.

DGK11-001

技术参数 Technical data
APPROVAL: CE C-ROHS US

型号 Model	线径 Wire range (AWG/mm ²)	线数 Poles	IEC60947技术参数 (IEC60947 data sheet)		UL1059技术参数 (UI1059 data sheet)	
			电压(V) Rated voltage	电流(A) Rated current	电压(V) Rated voltage	电流(A) Rated current
DGK11-001	-	01P	-	-	-	-

应用行业 Application

工业自动化, 仪器仪表。
 industrial automation, instrument.


产品包装方式 Packing

Product model	Pcs./Pkt.
DGK11-001	1

型号对照 Cross reference

DEGSON	同行1/Competitor1	同行2/Competitor2
DGK11-001	-	-

产品订货 How to order

DGK11-001	-	0	1	P	-	1	1	-	0	0	A(H)
Series NO.		NO. of pole									Standard
		1 Single pitch	2 Double pitch						通用色 General Color		
									1 Grey	PANTONE 429C	DEGSON 41