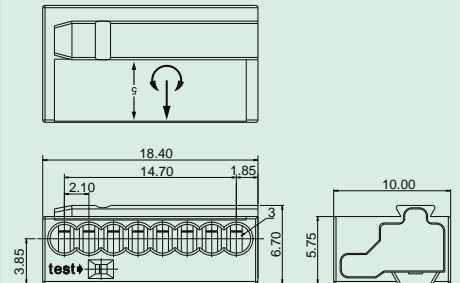
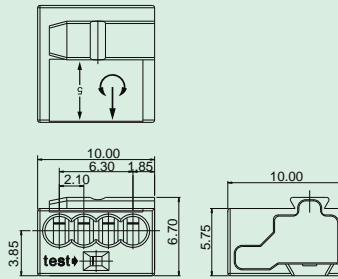
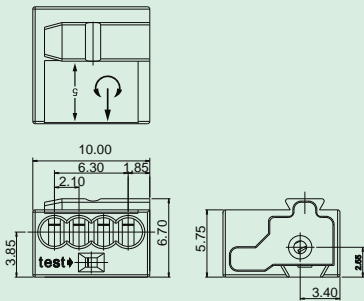


DG220-2.0

- 用于接线盒的连接器;
- 直插式接线方式。
- Connector for junctionboxes;
- Push-in termination.



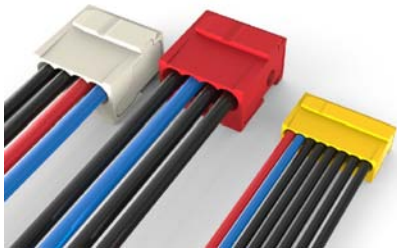
技术参数 Technical data

APPROVAL: **CE**

型号 Model	线径 Wire range (AWG/mm ²)	线数 Poles	IEC60998技术参数 (IEC60998 data sheet)		UL486C技术参数 (UL486C data sheet)	
			电压(V) Rated voltage	电流(A) Rated current	电压(V) Rated voltage	电流(A) Rated current
DG220-2.0	22-18/0.5-1.0	04/08P	100	6	150	7

应用行业 Application

LED照明行业 LED Lighting



产品包装方式 Packing

Product model	Pcs./Pkt.
DG220-2.0-04P	100
DG220-2.0-08P	100

型号对照 Cross reference

DEGSON	同行1/Competitor1	同行2/Competitor2
DG220-2.0	W/243-2XX	-

产品订货 How to order

DG220-2.0	-	0	4	P	-	1	Y	-	0	0	A(H)
Series NO.			NO. of pole								Standard
			1 Single pitch								
			2 Double pitch								
							通用色 General Color				
							1 Grey	PANTONE 430C			
							DEGSON	01			
							3 Yellow	PANTONE 108C			
							DEGSON	08			
							3 Orange	PANTONE 1675C			
							DEGSON	25			