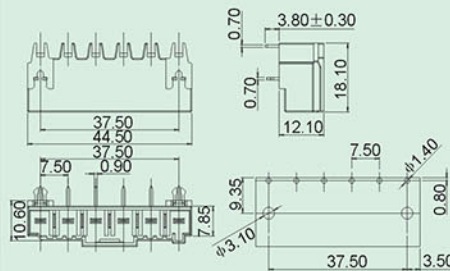


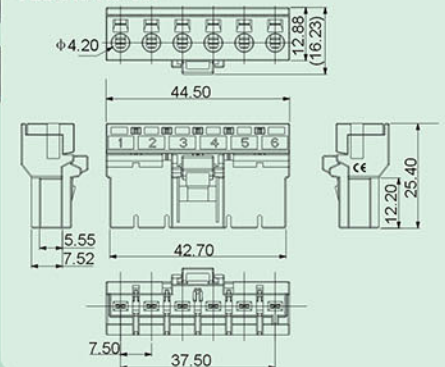
9EDGRC-7.5-06P-200AH

- 在00AH新增反针规格;
- 00AH with reverse pin specification

9EDGRC-7.5-06P



9EDGK-7.5-06P



技术参数 Technical data

APPROVAL: 

型号 Model	线径 Wire range (AWG/mm ²)	线数 Poles	IEC61984技术参数 (IEC61984 data sheet)		UL1059技术参数 (UL1059 data sheet)	
			电压(V) Rated voltage	电流(A) Rated current	电压(V) Rated voltage	电流(A) Rated current
9EDGRC-7.5-06P	-	06P	-	-	300	16

应用行业 Application

工业自动化、电梯、新能源、电力电气、仪器仪表、机械、轨道交通等行业
industrial automation, elevator, new energy, electric power, instrument, machinery, railway transport.



产品包装方式 Packing

Product model	Pcs./Pkt.
9EDGRC-7.5-06P	25

型号对照 Cross reference

DEGSON	同行1/Competitor1	同行2/Competitor2
9EDGRC-7.5-06P	-	-

产品订货 How to order

9EDGRC-7.5-06P	0	6	P	1	3	0	0	A(H)
								Standard
Series NO.	NO. of pole							
	1 Single pitch	2 Double pitch	通用色 General Color					
			Black	PANTONE 419C				
				DEGSON 03				