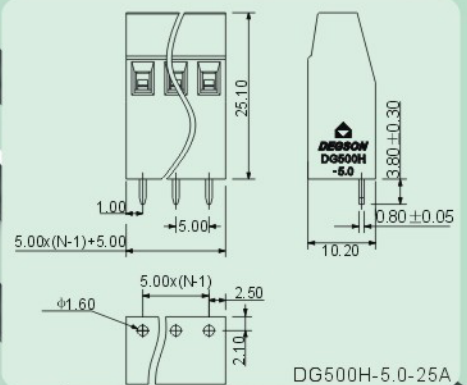


DG500H-5.0-25A

- 螺钉式连接技术。
- 在DG500H-5.0-00A的基础上，减小宽度满足客户需求。
- Screw connection technology.
- On the basis of DG500H-5.0-00A, Reduce width to meet customer request.



技术参数 Technical data

APPROVAL: 

型号 Model	线径 Wire range (AWG/mm ²)	线数 Poles	IEC60947技术参数 (IEC60947 data sheet)		UL1059技术参数 (UL1059 data sheet)	
			电压(V) Rated voltage	电流(A) Rated current	电压(V) Rated voltage	电流(A) Rated current
DG500H-5.0-25A	28-12/0.75-1.0	02-24P	250	24	300	17.5

应用行业 Application

工业自动化, 仪器仪表, 电梯, 新能源, 电力电气, 电源等行业。
industrial automation, instrument, elevator, new energy, electric power, power supply.



产品包装方式 Packing

Product model	Pcs./Pkt.	Product model	Pcs./Pkt.
DG500H-5.0-02P-25A	25	DG500H-5.0-08P-25A	25
DG500H-5.0-03P-25A	25	DG500H-5.0-09P-25A	25
DG500H-5.0-04P-25A	25	DG500H-5.0-10P-25A	25
DG500H-5.0-05P-25A	25	DG500H-5.0-11P-25A	25
DG500H-5.0-06P-25A	25	DG500H-5.0-12P-25A	25
DG500H-5.0-07P-25A	25		

型号对照 Cross reference

DEGSON	同行1/Competitor1	同行2/Competitor2
DG500H-5.0-25A	-	-

产品订货 How to order

