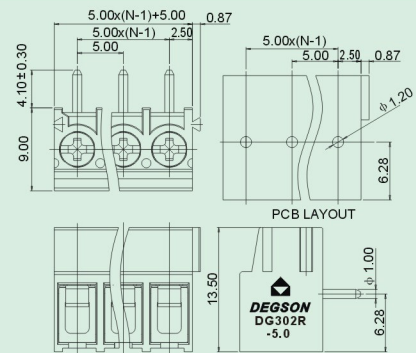


### DG302R-5.0

- 方形连接结构，接线容量大。
- 侧面的锁扣组合不同位数。
- Connection structure of square hole is for big wire range.
- Can be assembled different poles by lateral lock.



DG302R-5.0

### 技术参数 Technical data

APPROVAL: **CE**

型号 Model	线径 Wire range	线数 Poles	IEC60947技术参数 (IEC60947 data sheet)		UL1059技术参数 (UL1059 data sheet)	
			电压(V) Rated voltage	电流(A) Rated current	电压(V) Rated voltage	电流(A) Rated current
DG302R-5.0	20-12/0.5-4.0AWG/mm <sup>2</sup>	02-24P	250	25	300	20

### 应用行业 Application

工业自动化、新能源、电梯、电力电气、电源、照明、安防等行业。  
Industrial automation, new energy, elevator, electric power, power supply, lighting, security.



### 产品包装方式 Packing

Product model	Pcs./Pkt.
DGMT2.5-5.08-01P	50

### 型号对照 Cross reference

DEGSON	同行1/Competitor1	同行2/Competitor2
DG302R-5.0	PT1.5/X-5.0-V	-

### 产品订货 How to order

DG302R-5.0	0	2	P	1	4	0	0	A(H)
Series NO.	NO. of pole					Standard		
	1	2				通用色 General Color		
	Single pitch	Double pitch			4	Green	PANTONE 556C	DEGSON 04