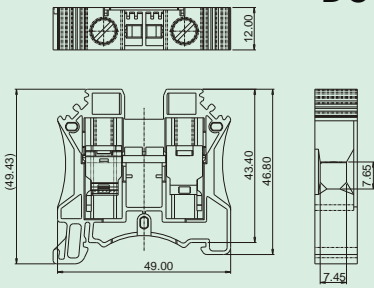


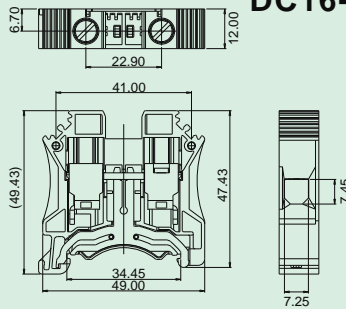
DC16/DC16-PE/DFA16

- 紧凑型螺钉结构设计;
 - 载流体采用紫铜材料, 保证良好的电气性能;
 - 可实现整体安装方案, 带插入式桥接件及接地保护功能。
- Compact screw structure design;
 - Copper current-carrier, excellent electrical performance;.
 - Can be used in overall installation plan, with bridge accessories and PE function.

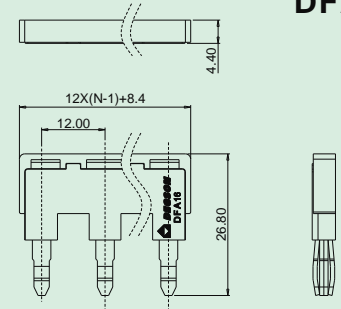
DC16



DC16-PE



DFA16



技术参数 Technical data

APPROVAL: CE

型号 Model	线径 Wire range (AWG/mm ²)	线数 Poles	IEC60947技术参数 (IEC60947 data sheet)		UL1059技术参数 (UL1059 data sheet)	
			电压(V) Rated voltage	电流(A) Rated current	电压(V) Rated voltage	电流(A) Rated current
DC16	14-3/1.5-25	01P	1000	76	600	100
DC16-PE	14-3/1.5-25	01P	-	-	-	-
DFA16	-	-	-	-	-	-

应用行业 Application

工业自动化, 机械, 电力电气, 新能源, 电梯等行业。

Industrial automation, machinery, electric power, new energy, elevator etc.



产品包装方式 Packing

Product model	Pcs./Pkt.
DC16-PE-01P	25
DC16-01P	25

型号对照 Cross reference

DEGSON	同行1/Competitor1	同行2/Competitor2
DC16	P/TB16	D/DK16N
DC16-PE	P/TB16-PEI	W/WDE16N
DFA16	P/SCBI16-10	D/DSS16N

产品订货 How to order

DC16/DFA16	-	0	1	P	-	1	Y	-	0	0	A(H)
Series NO.			NO. of pole				通用色 General Color				
			1 Single pitch				1 Grey				PANTONE 430C
			2 Double pitch								DEGSON 01
DC16-PE	-	0	1	P	-	1	C	-	0	0	A(H)
Series NO.			NO. of pole				通用色 General Color				
			1 Single pitch				1 Green-yellow				PANTONE -
			2 Double pitch								DEGSON 0C