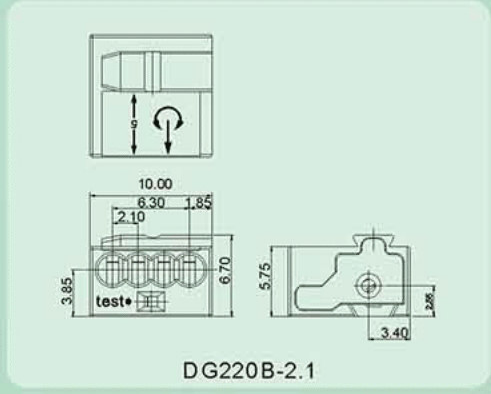
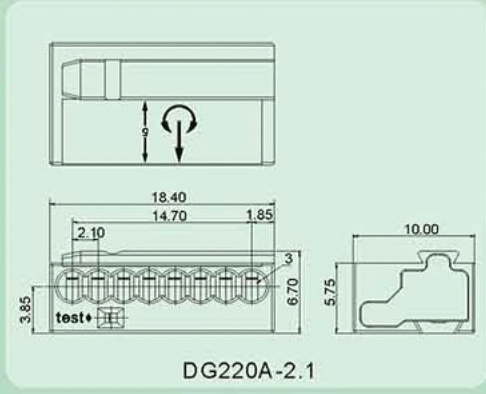
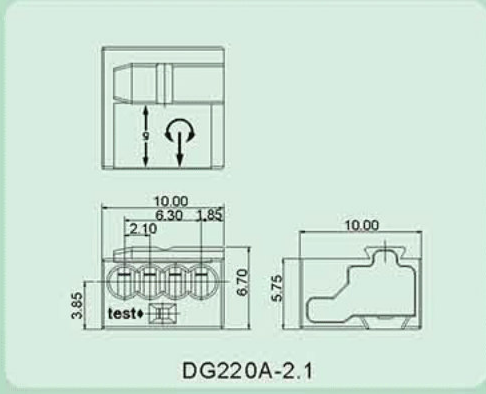
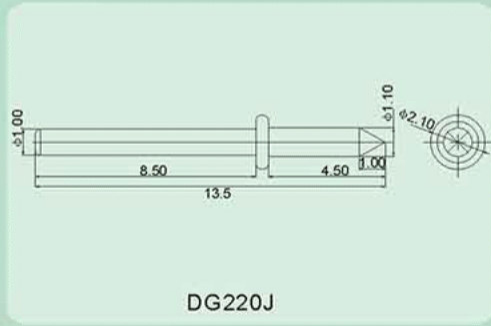


DG220A/B-2.1

- 用于接线盒的连接器;
- 直插式接线方式。
- Connector for junction boxes;
- Push-in termination.



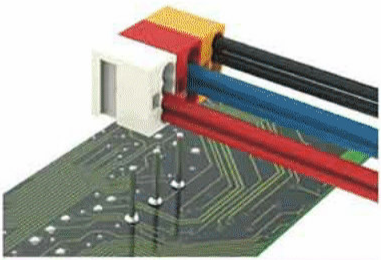
技术参数 Technical data

APPROVAL: CE

型号 Model	线径 Wire range (AWG/mm ²)	线数 Poles	IEC60998技术参数 (IEC60998 data sheet)		UL486C技术参数 (UL486C data sheet)	
			电压(V) Rated voltage	电流(A) Rated current	电压(V) Rated voltage	电流(A) Rated current
DG220A/B-2.1	22-18/0.5-1.0	04/08P	100	6	150	7
DG220J	-	01P	-	-	-	-

应用行业 Application

LED照明行业 LED Lighting



产品包装方式 Packing

Product model	Pcs./Pkt.
DG220A/B-2.1-04P	100
DG220A/B-2.1-08P	100
DG220J	100

型号对照 Cross reference

DEGSON	同行1/Competitor1	同行2/Competitor2
DG220A/B-2.1	W/243-2XX	-
DG220J	W/243-131	-

产品订货 How to order

